

FNAME  
RE/DATE  
USER

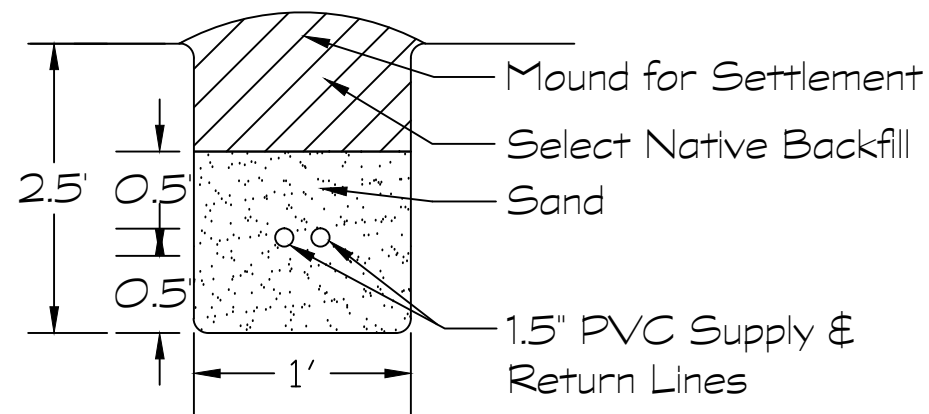
Campi Engineering  
770 Lakeshore Ct, Fairfield, CA 94534  
Voice (707) 864-5618

**SEWAGE DISPOSAL SYSTEM DETAILS**  
**3412 SNUG HARBOR RESORT**

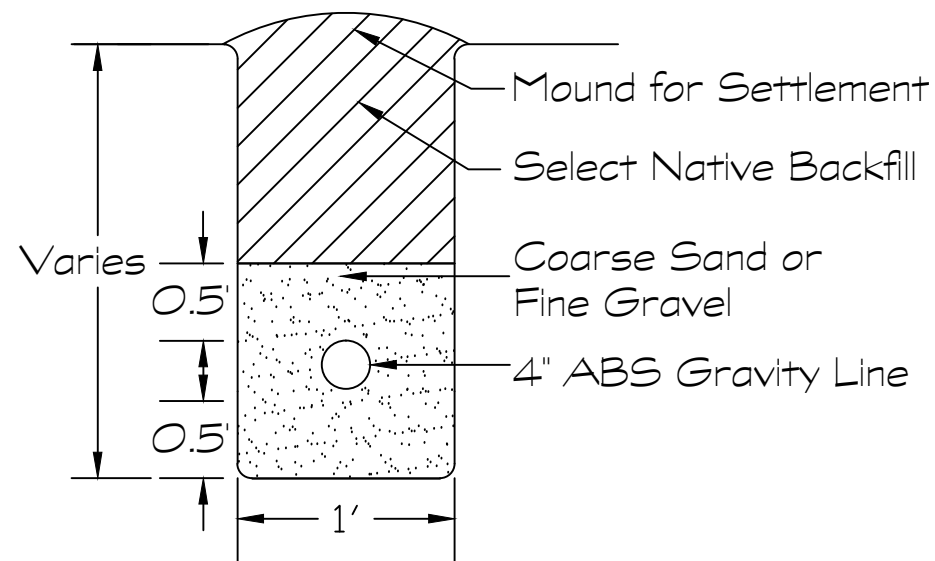
Drawn	
Checked	
Approved	

No.	Revision/Issue	Date

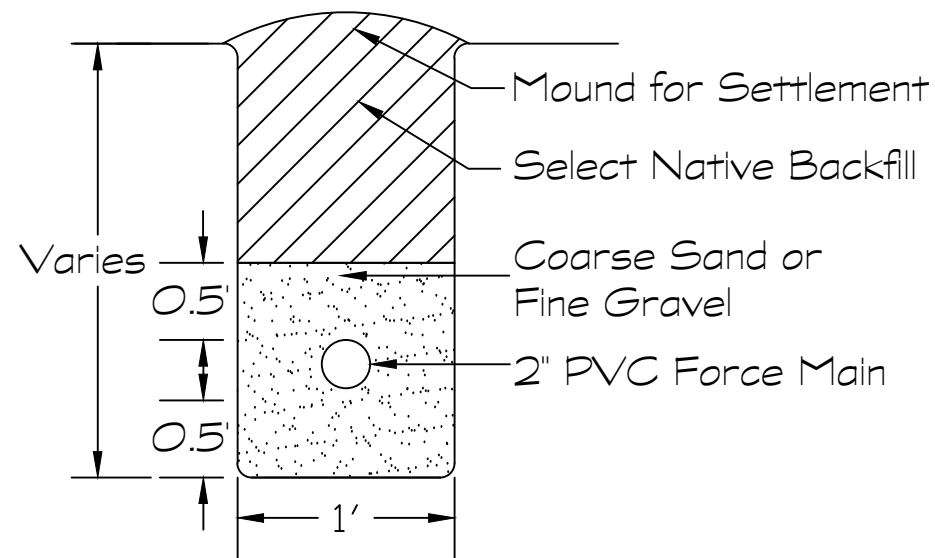
Project	Sheet
Date 8/7/2012	D1
Scale N.T.S.	



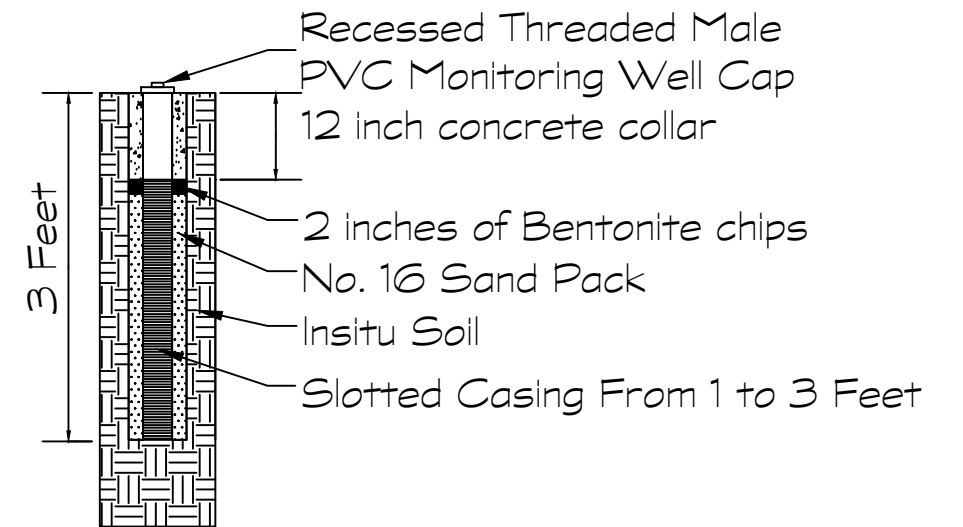
4 Force Main Profile View



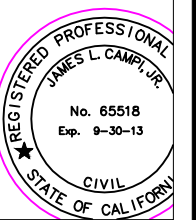
3 Gravity Line Profile View



3A Gravity Line Profile View



5 Performance Well Profile View



Campi Engineering  
770 Lakeshore Ct, Fairfield, CA 94534  
Voice (707) 864-5618

SEWAGE DISPOSAL SYSTEM DETAILS  
3412 SNUG HARBOR RESORT

Drawn
Checked
Approved

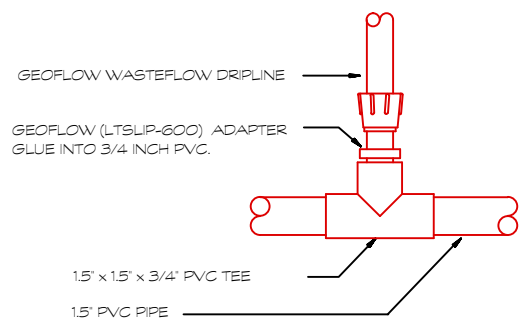
No.	Revision/Issue	Date
-----	----------------	------

Project	Sheet
Date 8/7/2012	D2
Scale N.T.S.	

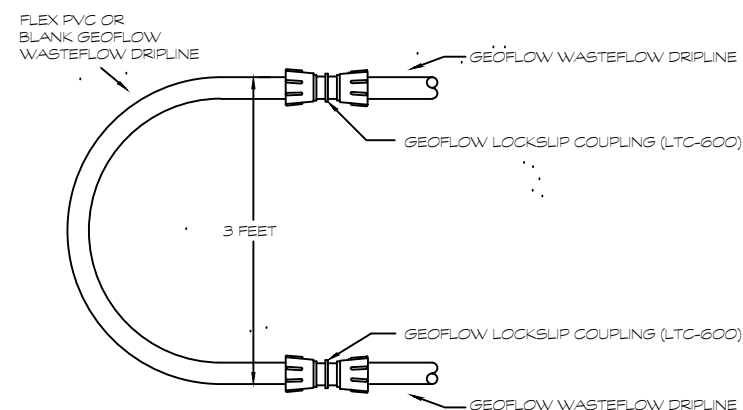
FNAME

REVDATE

USER

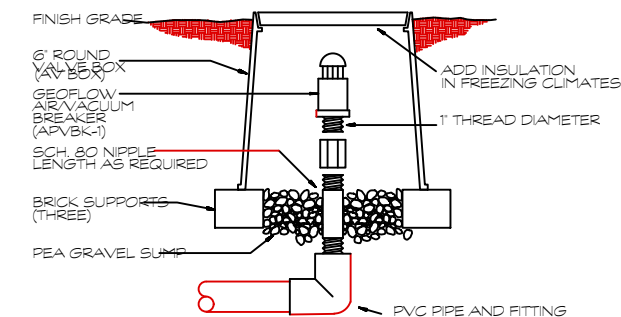


6 Manifold Connection (PVC Tee to Adapter)  
Profile View

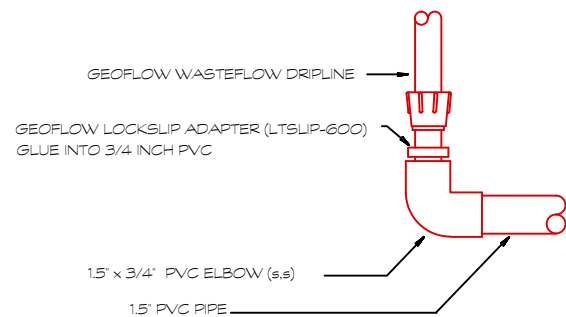


NOTE: IF USING FLEX PVC LOOP, CONNECTIONS SHALL BE GEOWFLOW LOCKSLIP ADAPTER (LTSLIP-600) TO PVC COUPLING

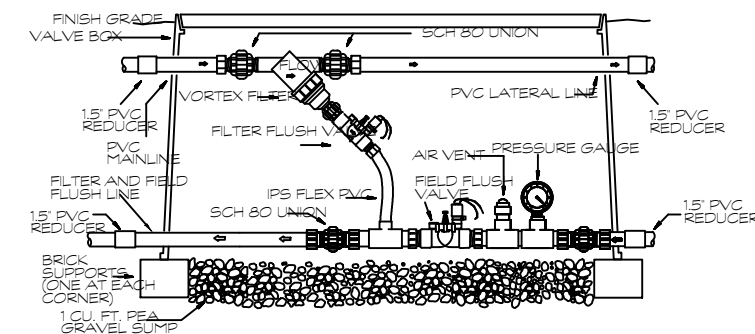
10 Lockslip Coupling Loop  
Section



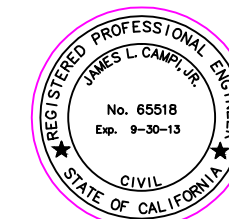
7 1" Air/Vacuum Breaker  
Profile View



8 Manifold Connection (PVC El to Adapter)  
Profile View



9 Headworks Box - WHW-01-Aut  
Profile View



FNAME

REVDATE

USER

Campi Engineering  
770 Lakeshore Ct, Fairfield, CA 94534  
Voice (707) 864-5618

SEWAGE DISPOSAL SYSTEM DETAILS  
3412 SNUG HARBOR RESORT

Drawn	
Checked	
Approved	

No.	Revision/Issue	Date

Project	Sheet
Date 8/7/2012	D3
Scale N.T.S.	